

*Glengarry Chemical's GFO filter housings are constructed of durable carbon steel and accept either 10" or 20" double open end cartridges. Suitable for a wide variety of non-aggressive applications, you will find them doing their job quietly and efficiently in installations from the common to the unusual. Call us to discuss your specific needs.*

<b>Operating Data GFO10 &amp; GFO20</b>	
Max Ops Pressure and Temperature	175 psi @ 200° F (12.1 bar @ 93° C)
<b>Materials of Construction:</b>	
Head and body	Carbon steel
Centre post	Carbon steel
Head gasket	Buna-N
Cap nut gasket	PTFE
<b>Connections</b>	
Inlet/Outlet	¾" NPTF
Drain	¼" NPTF
Cartridge suitability	Standard DOE 2 ½" – 2 ¾" diameter
Weight Empty	8.8 lbs (4 kg)

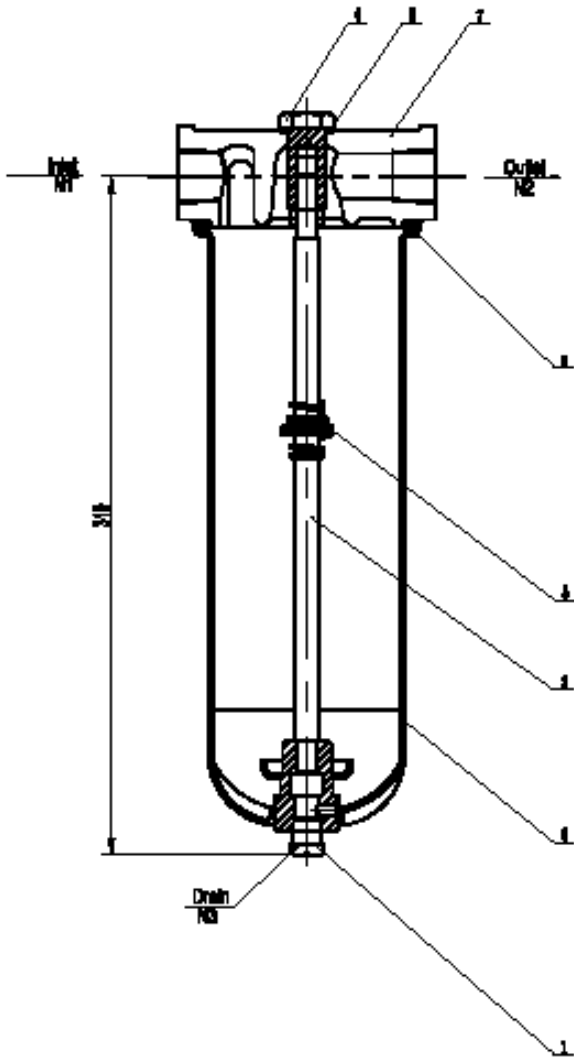


- Operating pressure of 175 psig allows it to be used in a broad range of applications
- In-line NPT connections with clearly marked flow directions for ease of installation
- Centre post design for quick cartridge change-out: less downtime means lower maintenance costs
- Economical and durable

**Ordering information:**

Example: GFO10-3/4"

MODEL	LENGTH	CONNECTION TYPE	CONNECTION SIZE
GFO	10 = for 10" cartridge	NPTF	3/4"
	20 = for 20" cartridge		



**Recommended Spares:**

Shell O-ring:

Cover Nut O-ring:

**For replacement cartridges:**

Standard diameter (2 1/2" or 2 3/4") double open end, full 10" length for GFO10 and either 2 @ 10" or 1 @ full 20" for GFO20 housings

Cover Gasket:  
34240-45  
Durlon