

*1A1 (unpainted) and 1A1P (painted epoxy blue) filter housings are the workhorses of your pump seal flush line: necessary, reliable, and cost-effective. The all-metal, two piece construction of durable die-cast aluminum can be found in almost every pump seal flush in every boiler room you enter. The centre post design allows for quick and easy cartridge change-out. Rated 125 psig @ 200° F, it can handle most any standard application.*



- Durable die-cast aluminum construction gives long service life
- Quick and simple cartridge change-out reduces maintenance time, lowering costs
- Drilled mounting pads in cover accept self tapping screws
- Economical and easy protection of those expensive pump seals

Operating Data 1A1 or 1A1P	
Max Ops Pressure and Temperature	125 psi @ 200° F*
Maximum Recommended Flow Rate	6 (USGPM) (based on water)**
Materials of Construction:	
Head and body	Die cast aluminum
Centre post	Stainless steel
Head gasket	Neoprene
Cap nut gasket	Durlon
Connections	
Inlet/Outlet	3/8" NPTF
Drain	1/4" NPTF
Cartridge suitability	General Filtration GFP50U30
Weight Empty	1.75 lbs (0.8 kg)

\*Please note the maximum operating pressure shown is for the housing alone. The cartridge capabilities must also be considered.

\*\*Flow rate can be expected to drop for higher viscosity fluids. See chart below:

Housing	FLOW (USGPM)					
	Water	80 SSU	150 SSU	300 SSU	600 SSU	1000 SSU
1A1 or 1A1P	6	5	4.5	4	3.5	3

**Ordering information:**

**1A1**  
unpainted aluminum

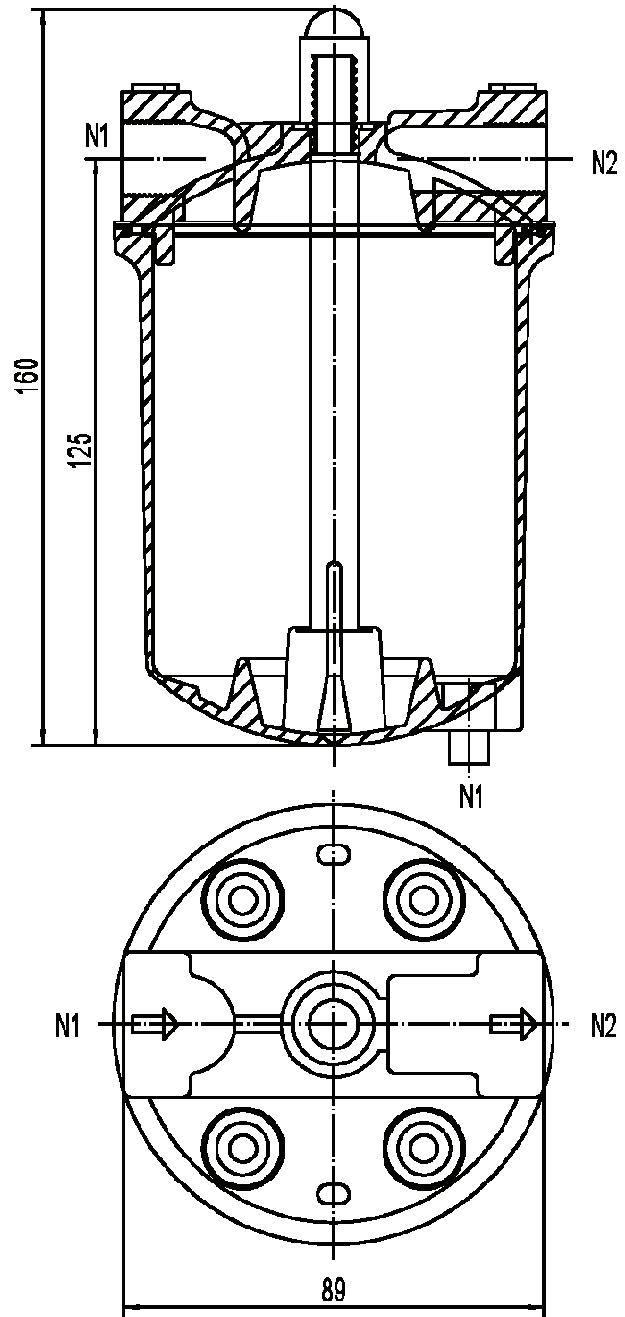
**1A1P**  
painted blue epoxy

**Recommended Spares:**

Cartridge:  
**GFP50U30**  
50 micron, 32/case

Shell Gasket:  
**63220-31**  
Neoprene

Cover Gasket:  
**34240-45**  
Durlon



Cover Diameter	89mm or 3 ½"
Overall Height	160 mm or 6.3"
Bottom to inlet centreline	125 mm or 4.92"